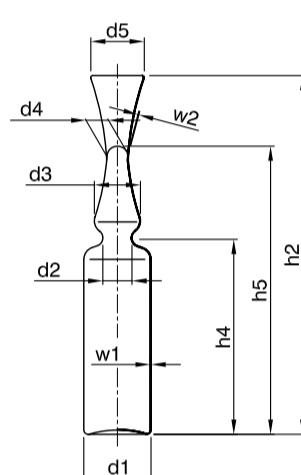


FORM-B (Flared-End/Flame cut)

FORM-B (Flared-End/Flame cut)								
Volume	1 ml	2 ml	3 ml	5 ml	10 ml	20 ml	25 ml	30 ml
d1	10.75 +/- 0.15	10.75 +/- 0.15	12.75 +/- 0.15	14.75 +/- 0.15	17.75 +/- 0.20	22.50 +/- 0.25	22.50 +/- 0.25	22.50 +/- 0.25
d2	6.5 +/- 0.50	6.5 +/- 0.50	6.5 +/- 0.50	7.0 +/- 0.50	7.5 +/- 0.50	8.5 +/- 0.50	8.5 +/- 0.50	8.5 +/- 0.50
d3	8.5 +/- 0.50	8.5 +/- 0.50	8.5 +/- 0.50	9.0 +/- 0.50	9.5 +/- 0.50	12.0 +/- 1.00	12.0 +/- 1.00	12.0 +/- 1.00
d4	6.0 +/- 0.35	6.0 +/- 0.35	6.0 +/- 0.35	7.0 +/- 0.35	7.1 +/- 0.35	7.8 +/- 0.50	7.8 +/- 0.50	7.8 +/- 0.50
d7	8.0 +/- 1.0	8.0 +/- 1.0	8.0 +/- 1.0	9.0 +/- 1.0	9.5 +/- 1.0	11.0 +/- 1.0	11.0 +/- 1.0	11.0 +/- 1.0
h1	60.0 +/- 1.0	72.0 +/- 1.0	75.0 +/- 1.0	83.0 +/- 1.0	102.0 +/- 1.0	113.0 +/- 1.0	128.0 +/- 1.0	143.0 +/- 1.0
h4	25.5 +/- 0.50	37.5 +/- 0.50	39.5 +/- 0.50	46.5 +/- 0.50	62.0 +/- 1.0	76.0 +/- 1.3	91.0 +/- 1.3	106.0 +/- 1.3
h5	47.0 +/- 2.0	57.0 +/- 2.0	62.0 +/- 2.0	68.0 +/- 2.0	87.0 +/- 2.0	100.0 +/- 2.0	115.0 +/- 2.0	130.0 +/- 2.0
w1	0.5 +/- 0.03	0.5 +/- 0.03	0.5 +/- 0.03	0.55 +/- 0.03	0.6 +/- 0.04	0.7 +/- 0.04	0.7 +/- 0.04	0.7 +/- 0.04
w2	0.37 +/- 0.05	0.37 +/- 0.05	0.37 +/- 0.05	0.40 +/- 0.05	0.47 +/- 0.05	0.50 +/- 0.05	0.50 +/- 0.05	0.50 +/- 0.05

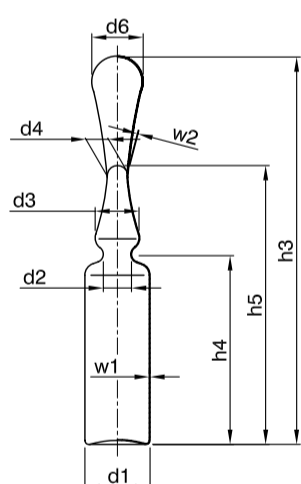
d1 : Body diameter h1 : Total height w1 : Body wall thickness
d2 : Constriction diameter h4 : Constriction height w2 : Stem wall thickness
d3 : Bulb diameter h5 : Sealing height
d4 : Stem diameter
d7 : Flame cut diameter



FORM-C (Funnel top)

FORM-C (Funnel top)								
Volume	1 ml	2 ml	3 ml	5 ml	10 ml	20 ml	25 ml	30 ml
d1	10.75 +/- 0.15	10.75 +/- 0.15	12.75 +/- 0.15	14.75 +/- 0.15	17.75 +/- 0.20	22.50 +/- 0.25	22.50 +/- 0.25	22.50 +/- 0.25
d2	6.5 +/- 0.50	6.5 +/- 0.50	6.5 +/- 0.50	7.0 +/- 0.50	7.5 +/- 0.50	8.5 +/- 0.50	8.5 +/- 0.50	8.5 +/- 0.50
d3	8.5 +/- 0.50	8.5 +/- 0.50	8.5 +/- 0.50	9.0 +/- 0.50	9.5 +/- 0.50	12.0 +/- 1.00	12.0 +/- 1.00	12.0 +/- 1.00
d4	6.0 +/- 0.35	6.0 +/- 0.35	6.0 +/- 0.35	7.0 +/- 0.35	7.1 +/- 0.35	7.8 +/- 0.50	7.8 +/- 0.50	7.8 +/- 0.50
d5	9.0 +/- 0.8	9.0 +/- 0.8	10.7 +/- 0.8	12.2 +/- 1.0	13.0 +/- 1.0	14.0 +/- 1.0	14.0 +/- 1.0	14.0 +/- 1.0
h2	67.0 +/- 1.0	79.0 +/- 1.0	82.0 +/- 1.0	90.0 +/- 1.0	109.0 +/- 1.0	120.0 +/- 1.5	135.0 +/- 1.5	150.0 +/- 1.5
h4	25.5 +/- 0.50	37.5 +/- 0.50	39.5 +/- 0.50	46.5 +/- 0.50	62.0 +/- 1.0	76.0 +/- 1.3	91.0 +/- 1.3	106.0 +/- 1.3
h5	47.0 +/- 2.0	57.0 +/- 2.0	62.0 +/- 2.0	68.0 +/- 2.0	87.0 +/- 2.0	100.0 +/- 2.0	115.0 +/- 2.0	130.0 +/- 2.0
w1	0.5 +/- 0.03	0.5 +/- 0.03	0.5 +/- 0.03	0.55 +/- 0.03	0.6 +/- 0.04	0.7 +/- 0.04	0.7 +/- 0.04	0.7 +/- 0.04
w2	0.37 +/- 0.05	0.37 +/- 0.05	0.37 +/- 0.05	0.40 +/- 0.05	0.47 +/- 0.05	0.50 +/- 0.05	0.50 +/- 0.05	0.50 +/- 0.05

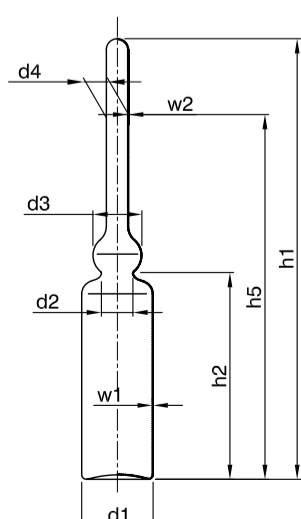
d1 : Body diameter h1 : Total height w1 : Body wall thickness
d2 : Constriction diameter h4 : Constriction height w2 : Stem wall thickness
d3 : Bulb diameter h5 : Sealing height
d4 : Stem diameter
d5 : Funnel diameter



FORM-D (Closed)

FORM-D (Closed)								
Volume	1 ml	2 ml	3 ml	5 ml	10 ml	20 ml	25 ml	30 ml
d1	10.75 +/- 0.15	10.75 +/- 0.15	12.75 +/- 0.15	14.75 +/- 0.15	17.75 +/- 0.20	22.50 +/- 0.25	22.50 +/- 0.25	22.50 +/- 0.25
d2	6.5 +/- 0.50	6.5 +/- 0.50	6.5 +/- 0.50	7.0 +/- 0.50	7.5 +/- 0.50	8.5 +/- 0.50	8.5 +/- 0.50	8.5 +/- 0.50
d3	8.5 +/- 0.50	8.5 +/- 0.50	8.5 +/- 0.50	9.0 +/- 0.50	9.5 +/- 0.50	12.0 +/- 1.00	12.0 +/- 1.00	12.0 +/- 1.00
d4	6.0 +/- 0.35	6.0 +/- 0.35	6.0 +/- 0.35	7.0 +/- 0.35	7.1 +/- 0.35	7.8 +/- 0.50	7.8 +/- 0.50	7.8 +/- 0.50
d6	10.0 +/- 1.0	10.0 +/- 1.0	10.5 +/- 1.0	12.0 +/- 1.0	13.5 +/- 1.0	13.5 +/- 1.0	13.5 +/- 1.0	13.5 +/- 1.0
h3	70.0 +/- 1.0	83.0 +/- 1.0	89.0 +/- 1.0	95.0 +/- 1.0	112.0 +/- 1.0	126.0 +/- 1.0	141.0 +/- 1.0	156.0 +/- 1.0
h4	25.5 +/- 0.50	37.5 +/- 0.50	39.5 +/- 0.50	46.5 +/- 0.50	62.0 +/- 1.0	76.0 +/- 1.3	91.0 +/- 1.3	106.0 +/- 1.3
h5	47.0 +/- 2.0	57.0 +/- 2.0	62.0 +/- 2.0	68.0 +/- 2.0	87.0 +/- 2.0	100.0 +/- 2.0	115.0 +/- 2.0	130.0 +/- 2.0
w1	0.5 +/- 0.03	0.5 +/- 0.03	0.5 +/- 0.03	0.55 +/- 0.03	0.6 +/- 0.04	0.7 +/- 0.04	0.7 +/- 0.04	0.7 +/- 0.04
w2	0.37 +/- 0.05	0.37 +/- 0.05	0.37 +/- 0.05	0.40 +/- 0.05	0.47 +/- 0.05	0.50 +/- 0.05	0.50 +/- 0.05	0.50 +/- 0.05

d1 : Body diameter h1 : Total height w1 : Body wall thickness
d2 : Constriction diameter h4 : Constriction height w2 : Stem wall thickness
d3 : Bulb diameter h5 : Sealing height
d4 : Stem diameter
d6 : Dome diameter



FORM-E (MARZOCCHI)

FORM-E (MARZOCCHI)							
Volume	1 ml	2 ml	3 ml	5 ml	10 ml	20 ml	25 ml
d1	10.75 +/- 0.15	10.75 +/- 0.15	12.75 +/- 0.15	14.75 +/- 0.15	17.75 +/- 0.20	22.50 +/- 0.25	22.50 +/- 0.25
d2	6.5 +/- 0.50	6.5 +/- 0.50	6.5 +/- 0.50	7.0 +/- 0.50	7.5 +/- 0.50	8.5 +/- 0.50	8.5 +/- 0.50
d3	8.5 +/- 0.50	8.5 +/- 0.50	8.5 +/- 0.50	9.0 +/- 0.50	9.5 +/- 0.50	12.0 +/- 1.00	12.0 +/- 1.00
d4	6.0 +/- 0.35	6.0 +/- 0.35	6.0 +/- 0.35	7.0 +/- 0.35	7.1 +/- 0.35	7.8 +/- 0.50	7.8 +/- 0.50
h1	85.5 +/- 0.50	97.5 +/- 0.50	100.0 +/- 0.50	110.0 +/- 0.5	127.0 +/- 1.0	150.0 +/- 1.0	158.0 +/- 1.0
h2	25.5 +/- 0.50	37.5 +/- 0.50	39.5 +/- 0.50	46.5 +/- 0.50	62.0 +/- 1.0	76.0 +/- 1.3	91.0 +/- 1.3
h5	47.0 +/- 2.0	57.0 +/- 2.0	62.0 +/- 2.0	68.0 +/- 2.0	87.0 +/- 2.0	100.0 +/- 2.0	115.0 +/- 2.0
w1	0.5 +/- 0.03	0.5 +/- 0.03	0.5 +/- 0.03	0.55 +/- 0.03	0.6 +/- 0.04	0.7 +/- 0.04	0.7 +/- 0.04
w2	0.37 +/- 0.05	0.37 +/- 0.05	0.37 +/- 0.05	0.40 +/- 0.05	0.47 +/- 0.05	0.50 +/- 0.05	0.50 +/- 0.05

d1 : Body diameter h1 : Total height w1 : Body wall thickness
d2 : Constriction diameter h2 : Constriction height w2 : Stem wall thickness
d3 : Bulb diameter h5 : Sealing height
d4 : Stem diameter