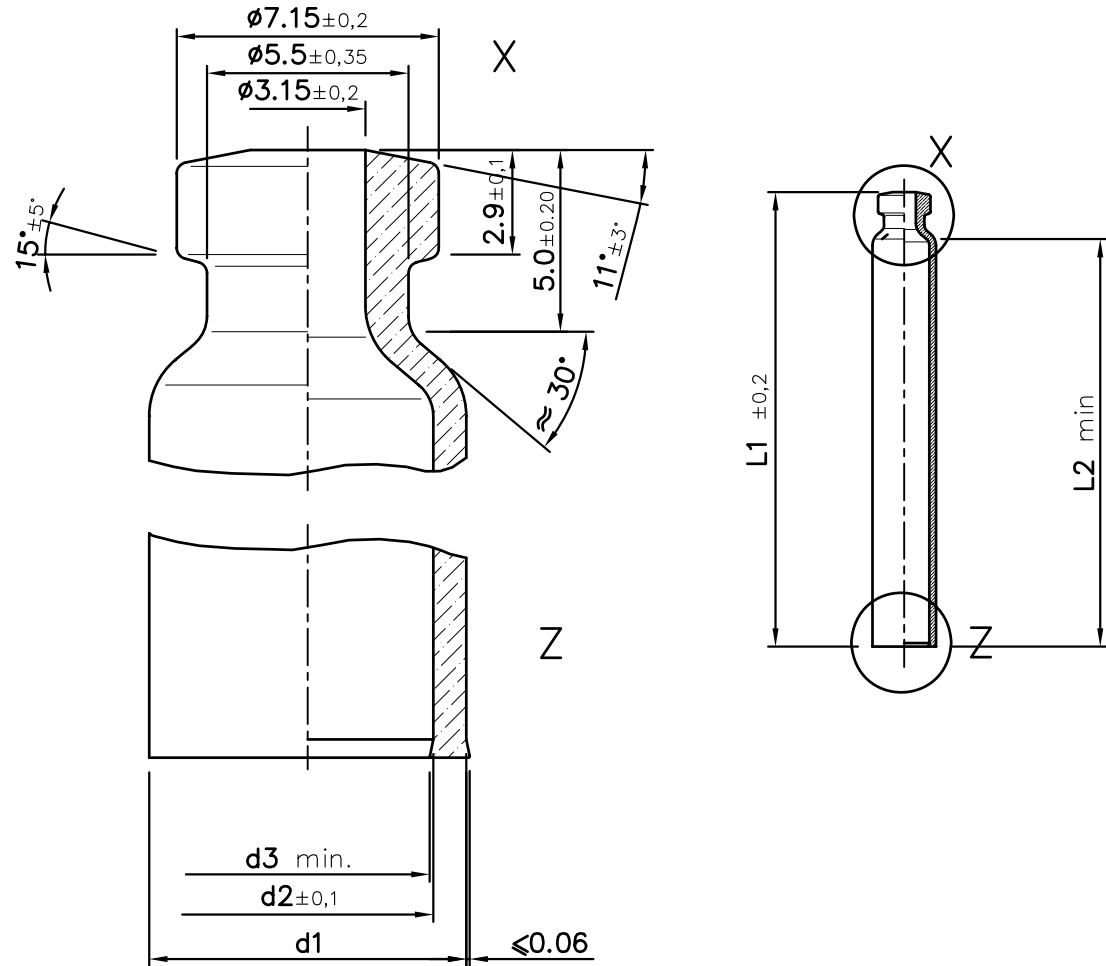


Carpoul ISO 13926-1:2004

Designations of glass cylinder for pen-injectors

Table 1

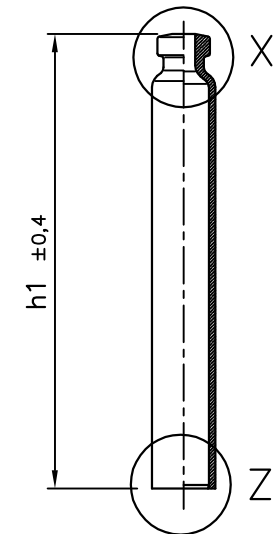
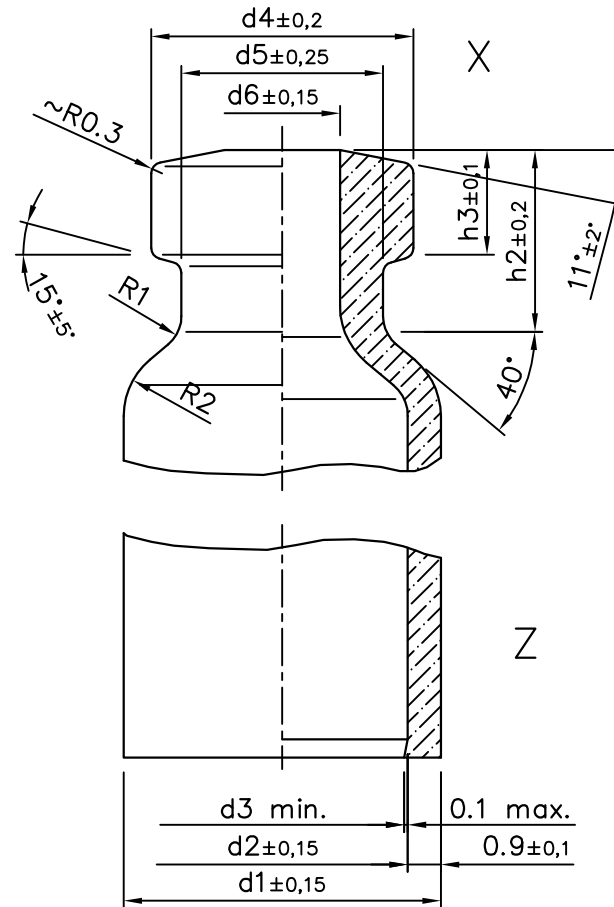
Nominal volume	1.5 ml
d1	8.65 ±0.1
d2	6.85
d3	6.55
L1	56.7
L2	50.45



Designations of glass cylinder for dental local anaesthetic cartridges

Table 1

Nominal volume	1.8 ml
d1	8.65
d2	6.85
d3	6.5
d4	7.15
d5	5.5
d6	3.15
h1	62
h2	5
h3	2.9



Carpoul ISO 13926-1:2004

Designations of glass cylinder for pen-injectors

Table 1

Nominal volume	3 ml
d1	11.6 ±0.15
d2	9.65
d3	9.35
L1	62.3
L2	55.9

