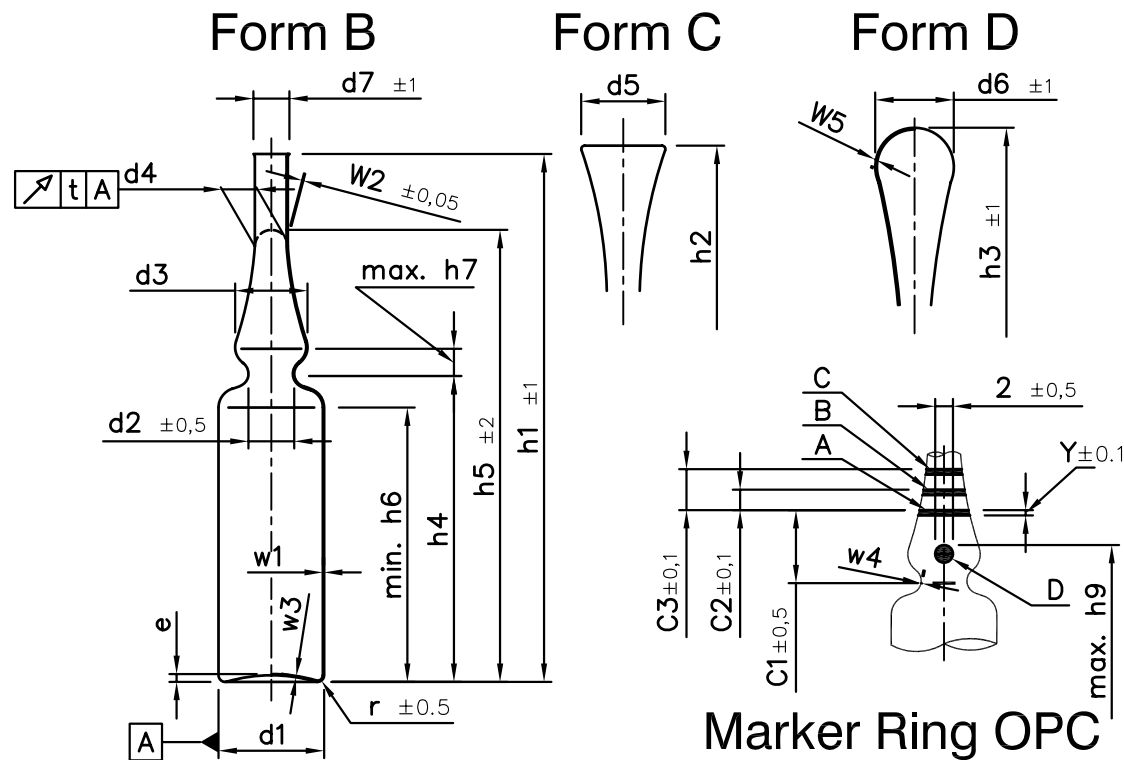


# Ampoule ISO 9187-1 :2010

## Size designation of ampoule :1cc

Table1

V ml~	1.5	h7	4.5
d1	10.75 ±0.15	h9	32.5
d2	6.5	r	1
d3	8.5 ±0.5	e	1 ±0.5
d4	6 ±0.35	w1	0.5 ±0.03
d5	9 ±0.8	w2	0.37
d6	10	w3	0.3 Min
d7	8	w4	0.7 ±0.1
h1	60	w5	0.1–0.25
h2	67 ±1	t	0.6
h3	70	C1	9
h4	25.5 ±0.5	C2	2
h5	47	C3	4
h6	21	Y	1



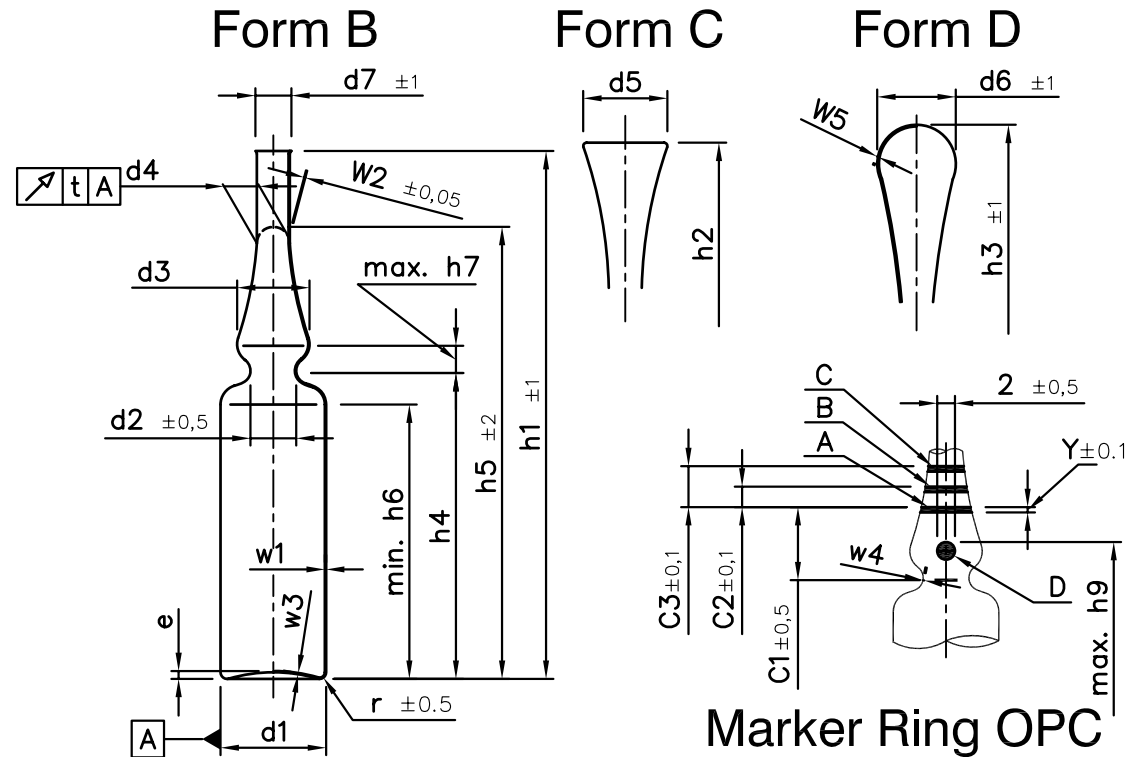
Color codes		
A	Code ring(1)	Customer's request
B	Code ring(2)	Customer's request
C	Code ring(3)	Customer's request
D	Point	Customer's request
E	Print text	Customer's request
F	Break ring	Customer's request
ISO 9187-2 : 2010		
Breaking force in N – for OPC cut		
	Min.	Max.
Limit	25	65

# Ampoule ISO 9187-1 :2010

## Size designation of ampoule :2cc

Table1

V ml~	2.3	h7	4.5
d1	10.75 ±0.15	h9	44.5
d2	6.5	r	1
d3	8.5 ±0.5	e	1 ±0.5
d4	6 ±0.35	w1	0.5 ±0.03
d5	9 ±0.8	w2	0.37
d6	10	w3	0.3 Min
d7	8	w4	0.7 ±0.1
h1	72	w5	0.1-0.25
h2	79 ±1	t	0.6
h3	83	C1	9
h4	37.5 ±0.5	C2	2
h5	57	C3	4
h6	33	Y	1



ISO 9187-1 : 2010

Breaking force in N – For RB		
	Min.	Max.
Limit	30	80

Marker Ring OPC

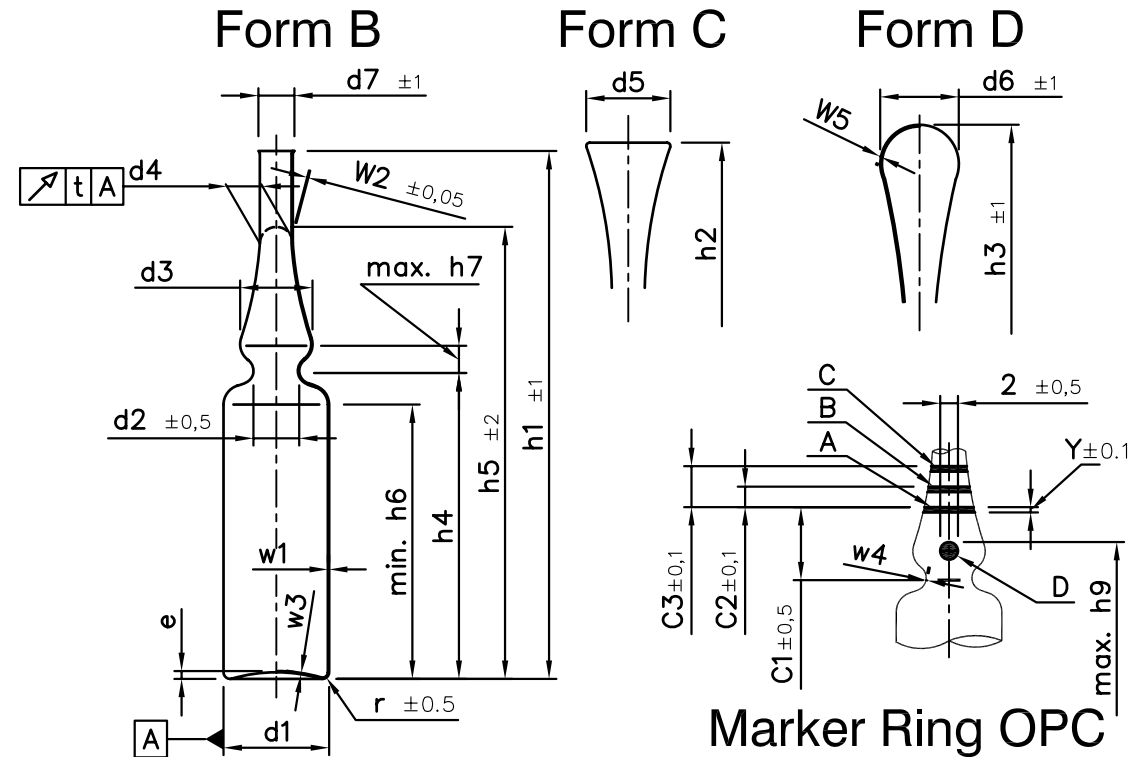
Color codes		
A	Code ring(1)	Customer's request
B	Code ring(2)	Customer's request
C	Code ring(3)	Customer's request
D	Point	Customer's request
E	Print text	Customer's request
F	Break ring	Customer's request
ISO 9187-2 : 2010		
Breaking force in N – for OPC cut		
	Min.	Max.
Limit	25	65

# Ampoule ISO 9187-1 :2010

## Size designation of ampoule :3cc

Table1

V ml~	3.5	h7	5
d1	12.75 ±0.15	h9	46.5
d2	6.5	r	1.5
d3	8.5 ±0.5	e	1 ±0.5
d4	6 ±0.35	w1	0.5 ±0.03
d5	10.7 ±0.8	w2	0.37
d6	10.5	w3	0.3 Min
d7	8	w4	0.7 ±0.1
h1	75	w5	0.1-0.25
h2	82 ±1	t	0.8
h3	89	C1	9
h4	39.5 ±0.5	C2	2
h5	62	C3	4
h6	35	Y	1



ISO 9187-1 : 2010

Breaking force in N – For RB		
	Min.	Max.
Limit	30	80

Marker Ring OPC

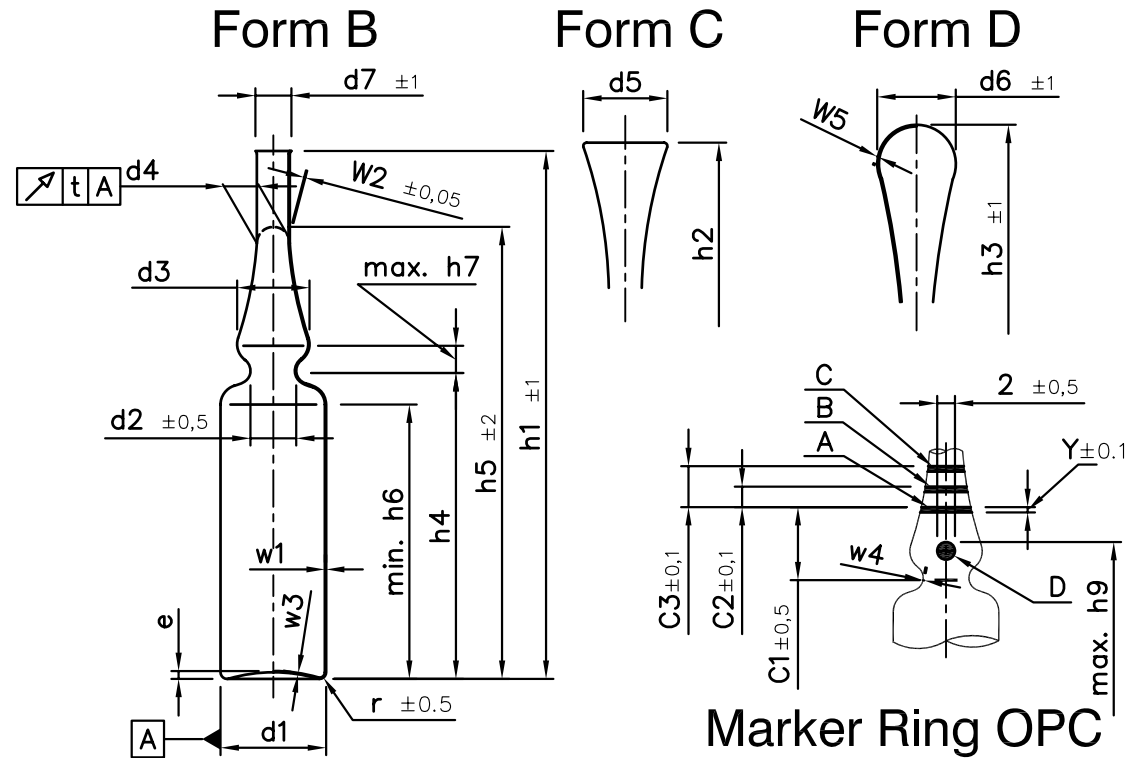
Color codes		
A	Code ring(1)	Customer's request
B	Code ring(2)	Customer's request
C	Code ring(3)	Customer's request
D	Point	Customer's request
E	Print text	Customer's request
F	Break ring	Customer's request
ISO 9187-2 : 2010		
Breaking force in N – for OPC cut		
	Min.	Max.
Limit	25	65

# Ampoule ISO 9187-1 :2010

## Size designation of ampoule :5cc

Table1

V ml~	5.5	h7	5.5
d1	14.75 ±0.15	h9	54
d2	7	r	1.5
d3	9 ±0.5	e	1 ±0.5
d4	7 ±0.35	w1	0.55 ±0.03
d5	12.2 ±1	w2	0.4
d6	12	w3	0.4 Min
d7	9	w4	0.7 ±0.15
h1	83	w5	0.1-0.25
h2	90 ±1	t	1
h3	95	C1	9
h4	46.5 ±0.5	C2	2
h5	68	C3	4
h6	41	Y	1



ISO 9187-1 : 2010

Breaking force in N – For RB		
	Min.	Max.
Limit	30	80

Marker Ring OPC

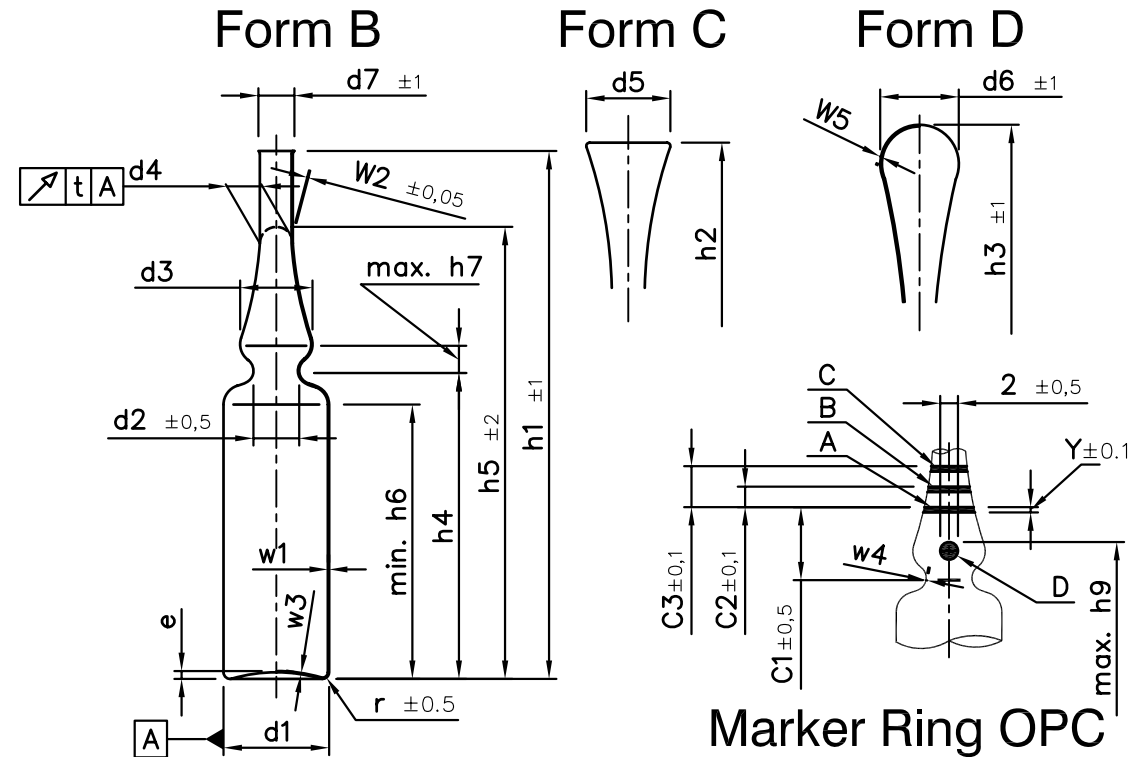
Color codes		
A	Code ring(1)	Customer's request
B	Code ring(2)	Customer's request
C	Code ring(3)	Customer's request
D	Point	Customer's request
E	Print text	Customer's request
F	Break ring	Customer's request
ISO 9187-2 : 2010		
Breaking force in N – for OPC cut		
	Min.	Max.
Limit	30	70

# Ampoule ISO 9187-1 :2010

## Size designation of ampoule :10cc

Table1

V ml~	11.5	h7	6
d1	17.75 ±0.2	h9	70
d2	7.5	r	2
d3	9.5 ±0.5	e	1.25 ±0.75
d4	7.1 ±0.35	w1	0.6 ±0.04
d5	13 ±1	w2	0.47
d6	13.5	w3	0.4 Min
d7	9.5	w4	0.8 ±0.15
h1	102	w5	0.1-0.25
h2	109 ±1	t	1
h3	112	C1	-
h4	62 ±1	C2	-
h5	87	C3	-
h6	55	Y	-



ISO 9187-1 : 2010

Breaking force in N – For RB		
	Min.	Max.
Limit	30	90

Marker Ring OPC

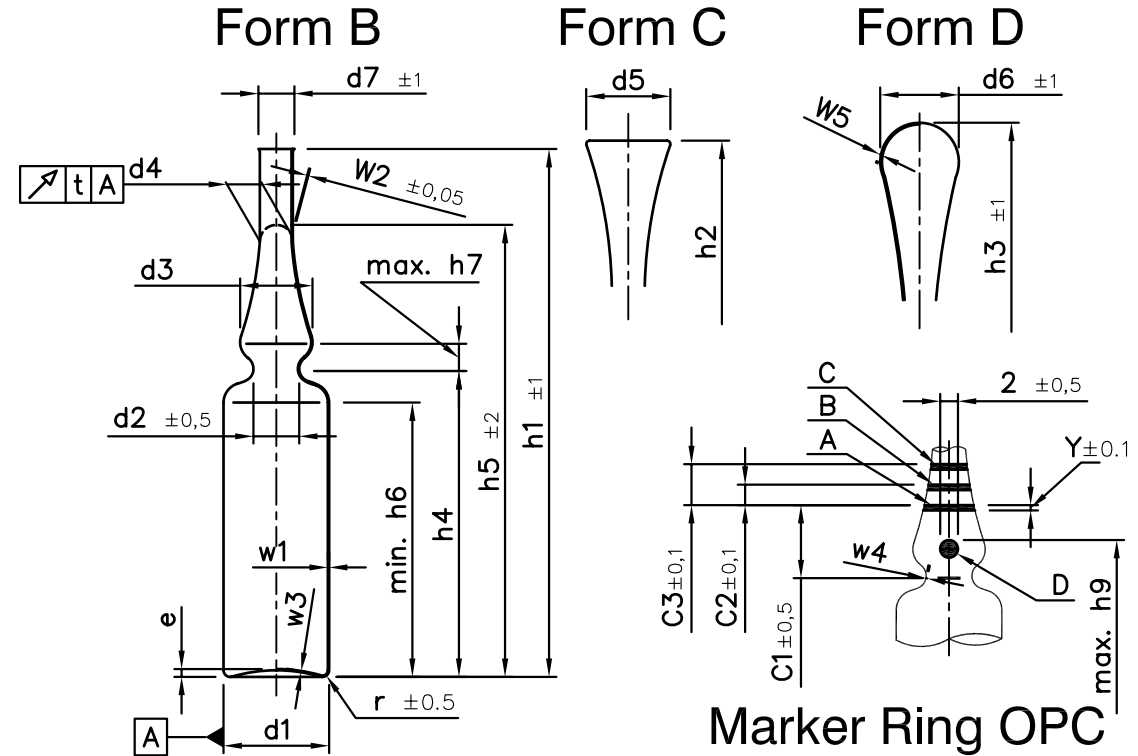
Color codes		
A	Code ring(1)	Customer's request
B	Code ring(2)	Customer's request
C	Code ring(3)	Customer's request
D	Point	Customer's request
E	Print text	Customer's request
F	Break ring	Customer's request
ISO 9187-2 : 2010		
Breaking force in N – for OPC cut		
	Min.	Max.
Limit	30	80

# Ampoule ISO 9187-1 :2010

## Size designation of ampoule :20cc

Table1

V ml~	23.5	h7	6.5
d1	22.5 ±0.25	h9	84.5
d2	8.5	r	2.5
d3	12 ±1	e	1.5 ±1
d4	7.8 ±0.5	w1	0.7 ±0.04
d5	14 ±1	w2	0.5
d6	13.5	w3	0.5 Min
d7	11	w4	1 ±0.2
h1	113	w5	0.1-0.3
h2	120 ±1.5	t	1.2
h3	126	C1	-
h4	76 ±1.3	C2	-
h5	100	C3	-
h6	65	Y	-



ISO 9187-1 : 2010

Breaking force in N – For RB		
	Min.	Max.
Limit	30	100

Marker Ring OPC

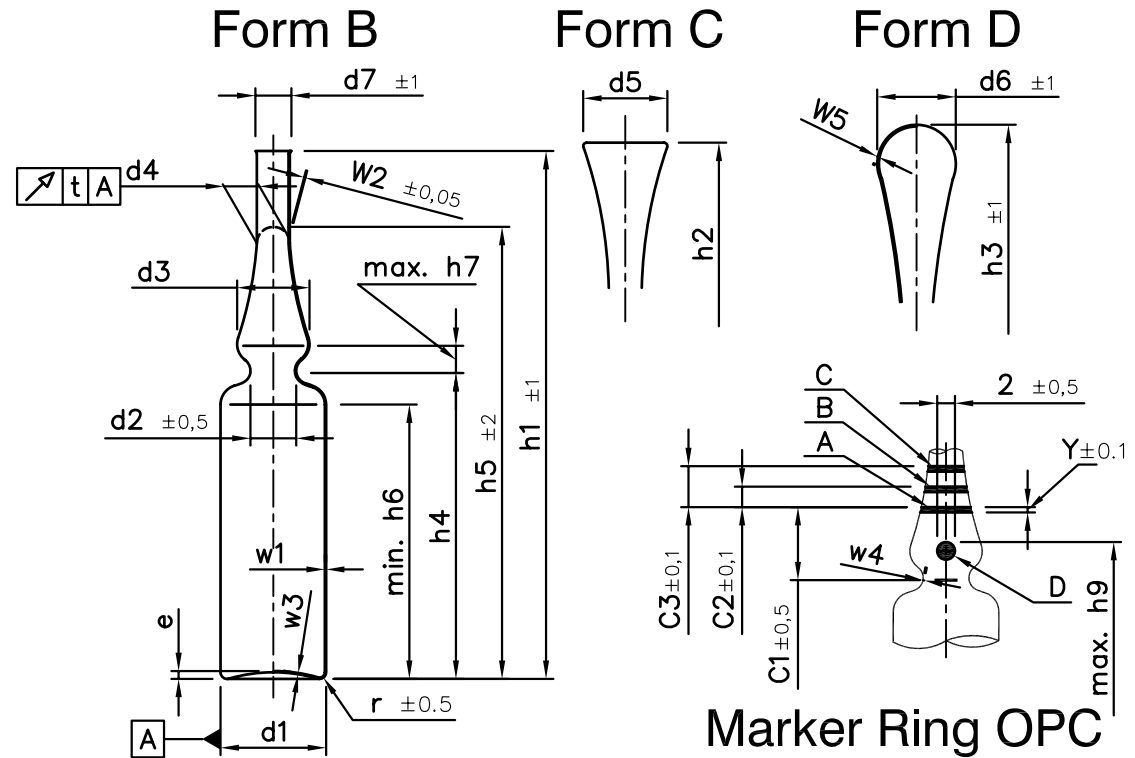
Color codes		
A	Code ring(1)	Customer's request
B	Code ring(2)	Customer's request
C	Code ring(3)	Customer's request
D	Point	Customer's request
E	Print text	Customer's request
F	Break ring	Customer's request
ISO 9187-2 : 2010		
Breaking force in N – for OPC cut		
	Min.	Max.
Limit	30	80

# Ampoule ISO 9187-1 :2010

## Size designation of ampoule :25cc

Table1

V ml~	28.5	h7	6.5
d1	22.5 ±0.25	h9	99.6
d2	8.5	r	2.5
d3	12 ±1	e	1.5 ±1
d4	7.8 ±0.5	w1	0.7 ±0.04
d5	14 ±1	w2	0.5
d6	13.5	w3	0.5 Min
d7	11	w4	1 ±0.2
h1	128	w5	0.1-0.3
h2	135 ±1.5	t	1.2
h3	141	C1	-
h4	91 ±1.3	C2	-
h5	115	C3	-
h6	80	Y	-



ISO 9187-1 : 2010

Breaking force in N – For RB		
	Min.	Max.
Limit	30	100

Marker Ring OPC

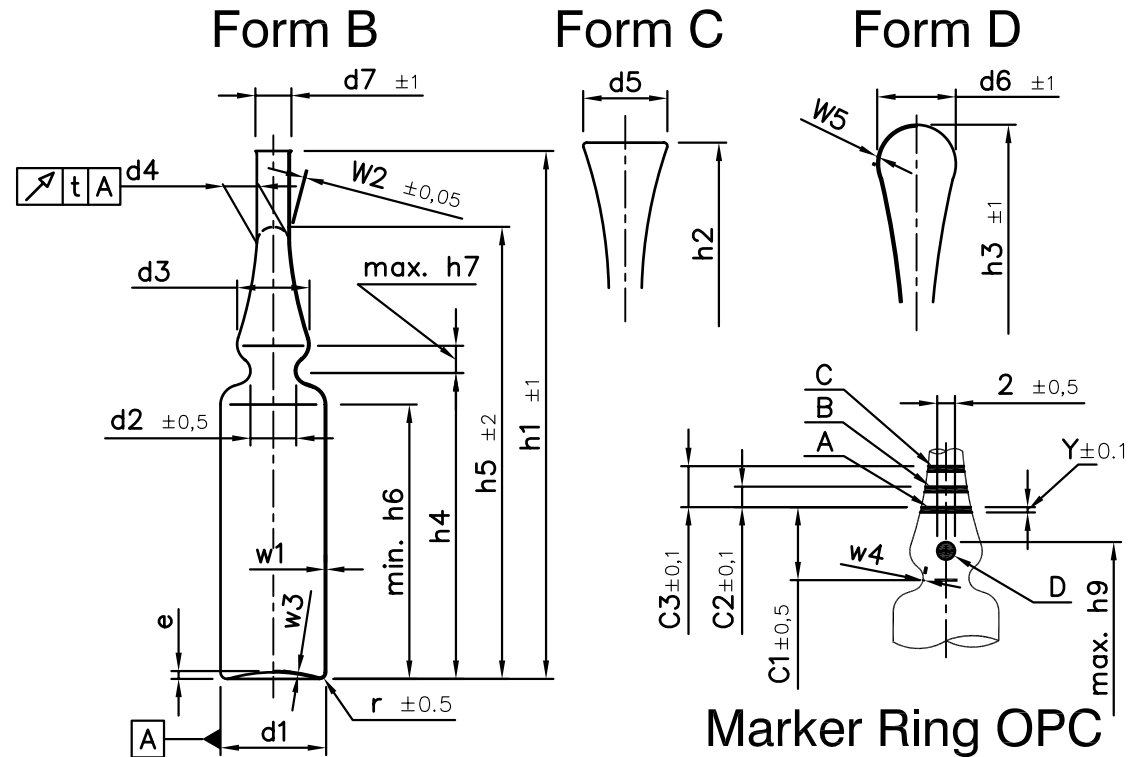
Color codes		
A	Code ring(1)	Customer's request
B	Code ring(2)	Customer's request
C	Code ring(3)	Customer's request
D	Point	Customer's request
E	Print text	Customer's request
F	Break ring	Customer's request
ISO 9187-2 : 2010		
Breaking force in N – for OPC cut		
	Min.	Max.
Limit	30	80

# Ampoule ISO 9187-1 :2010

## Size designation of ampoule :30cc

Table1

V ml~	33.5	h7	6.5
d1	22.5 ±0.25	h9	114.5
d2	8.5	r	2.5
d3	12 ±1	e	1.5 ±1
d4	7.8 ±0.5	w1	0.7 ±0.04
d5	14 ±1	w2	0.5
d6	13.5	w3	0.5 Min
d7	11	w4	1 ±0.2
h1	143	w5	0.1-0.3
h2	150 ±1.5	t	1.2
h3	156	C1	-
h4	106 ±1.3	C2	-
h5	130	C3	-
h6	95	Y	-



ISO 9187-1 : 2010

Breaking force in N – For RB		
	Min.	Max.
Limit	30	100

Marker Ring OPC

Color codes		
A	Code ring(1)	Customer's request
B	Code ring(2)	Customer's request
C	Code ring(3)	Customer's request
D	Point	Customer's request
E	Print text	Customer's request
F	Break ring	Customer's request
ISO 9187-2 : 2010		
Breaking force in N – for OPC cut		
	Min.	Max.
Limit	30	80