

ISO 11040-1:1992

Designations of glass cylinder for dental local anaesthetic cartridges

ISO 13926-1:2004

Designations of glass cylinder for pen-injectors

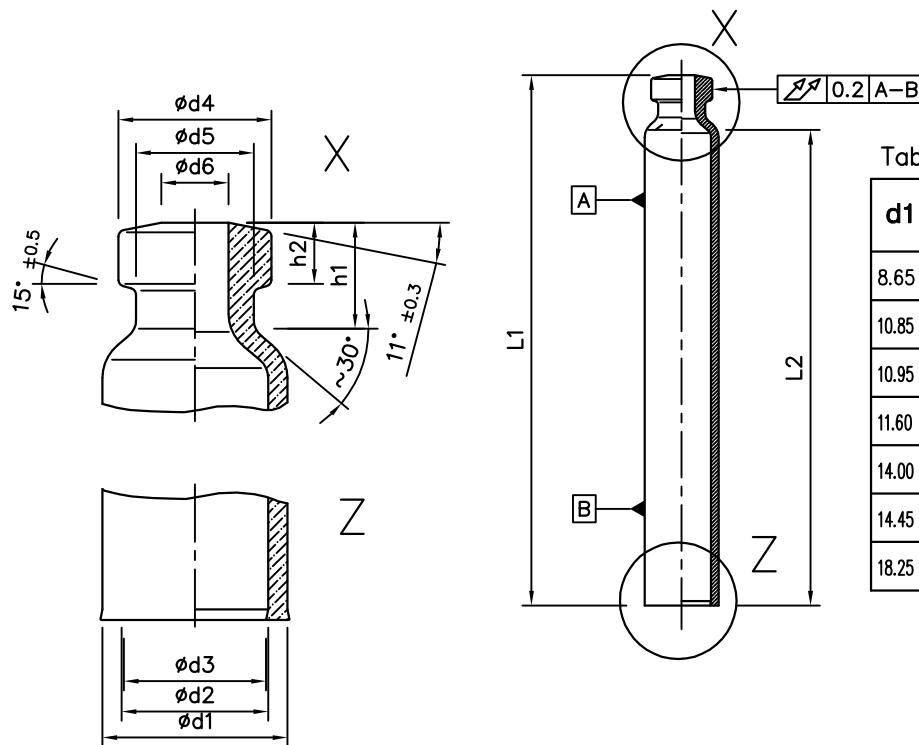


Table 1

d1	tol.	d2	tol.	d3	d4	tol.	d5	tol.	d6	tol.	h1	tol.	h2	tol.
	±		±	min.		±		±		±		±		±
8.65		6.85		6.55	7.15		5.5		3.15		5.0		2.9	
	0.1													
10.85		8.65		8.35	7.15		5.5		3.15		5.0		2.9	
			0.1								0.20		0.1	
10.95		9.25		8.95	7.15		5.5		3.15		5.0		2.9	
11.60		9.65		9.35	7.15	0.2	5.5	0.35	3.15	0.2	5.0		2.9	
14.00	0.15	12.00		11.65	9.5		7.6		4.5		5.0		2.9	
14.45		11.85	0.15	11.50	9.5		7.6		4.5		5.0	0.50	2.9	0.15
18.25		16.05		15.50	9.5		7.6		4.5		5.0		2.9	

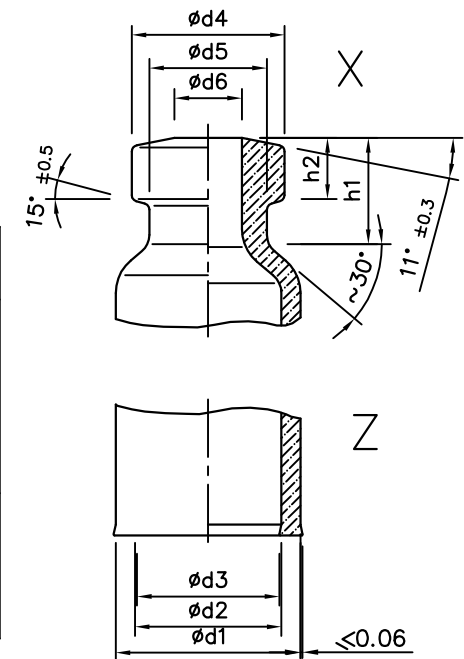


Table 1

d1	tol.	d2	tol.	d3	d4	tol.	d5	tol.	d6	tol.	h1	tol.	h2	tol.
	±		±	Min.		±		±		±		±		±
8.65	0.15	6.85	0.15	6.5	7.15	0.2	5.5	0.25	3.15	0.15	5.0	0.2	2.9	0.1

Lengths L1 and L2 shall be agreed upon between manufacturer and customer