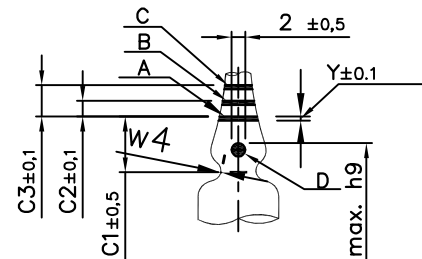
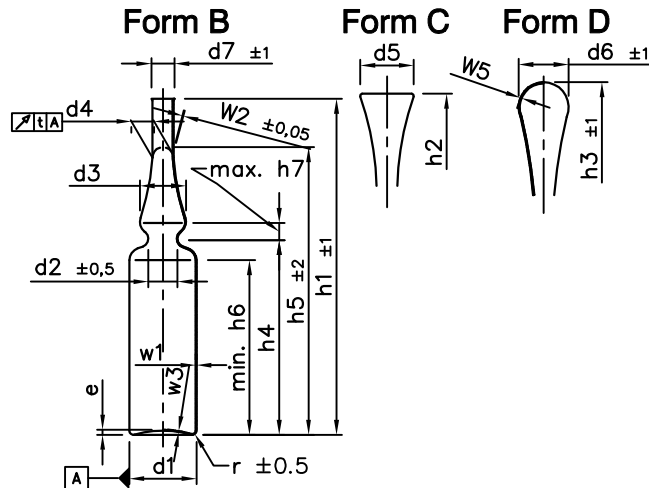


Nominal Volume ml	External diameter							Overall height			Height			Base		Wall thickness					Circular run-out tolerance ^c t	Volume to centre of constriction V ml~	Breaking force in N for RB		Breaking force in N for OPC cut ISO 9187-2:1999		Nominal Volume ml					
	Body d1 tol.	Constriction d2 ^a ±0.5	Bulb d3 tol.	Stem d4 tol.	Funnel d5 ^b tol.	Dome d6 ^b ±1 ^c	Flared end d7 ±1	Form B h1 ±1	Form C h2 tol.	Form D h3 ±1	Height to constriction h4 tol.	Height to gauging point h5 ±2	Body height h6 min.	Centre of constriction to bulb h7 max.	Radius r ±0.5	Depth of the base e tol.	Glass thickness of body W1 tol.	Glass thickness of stem at gauging W2 ±0.05	Glass thickness of base W3 min.	Glass thickness of constriction W4 tol.			Glass thickness of dome W5 tol.	Limit min.	Limit max.	Limit min.		Limit max.				
1	10.75		6.5	8.5	6	9	10	60	67	70	25.5	47	21	4.5	1	1	0.5	0.37	0.3	0.7		0.6	1.5			1						
2	10.75	±0.15	6.5	8.5	6	9	±0.8	10	8	72	79	83	37.5	57	33	4.5	1	1	0.5	0.37	0.3	0.7	±0.1	0.1 to 0.25	0.6	2.3	30	80	25	65	2	
3	12.75		6.5	8.5	±0.5	6	±0.35	10.7	10.5	8	75	82	±1	89	39.5	62	35	5	1.5	1	0.5	0.37							0.3	0.7	0.8	3.5
5	14.75		7	9	7	12.2		12	9	83	90		95	46.5	68	41	5.5	1.5	1	0.55	0.40	0.4	0.7	±0.15	0.1 to 0.25	1	5.5			30	70	5
10	17.75	±0.20	7.5	9.5	7.1	13		13.5	9.5	102	109		112	62	±1	87	55	6	1.5	1.25	±0.75	0.6	±0.15	0.1 to 0.25	1	11.5	30	90			10	
20	22.5		8.5	12	7.8	14	±1	13.5		113	120		126	76		100	65		2	1.5		0.7	±0.04	0.1 to 0.3	1.2	23.5			30	80	20	
25	22.5	±0.25	8.5	12	±1	7.8	±0.5	14		128	135	±1.5	141	91	±1.3	115	80	6.5	2	1.5	±1	0.7	±0.04	0.1 to 0.3	1.2	28.5	30	100			25	
30	22.5		8.5	12	7.8	14		13.5		143	150		156	106		130	95		2	1.5		0.7	±0.04	0.1 to 0.3	1.2	33.5					30	



Marker Ring OPC

Color codes		
A	Code ring(1)	Customer's request
B	Code ring(2)	Customer's request
C	Code ring(3)	Customer's request
D	Point	Customer's request
E	Print text	Customer's request
F	Break ring	Customer's request